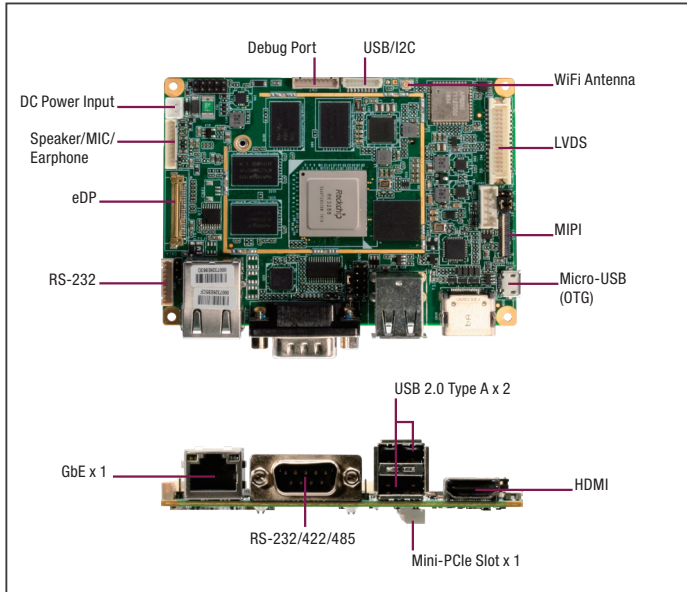


RICO-3288

Pico-ITX Fanless Board with Rockchip ARM Cortex™-A17 Quad-core Processor



Features

- Rockchip RK3288
- Onboard DDR3L 2GB/4GB (Optional)
- Onboard eMMC 16GB and Micro-SD Card Slot
- HDMI (1.4), eDP, LVDS, MIPI
- WiFi 802.11 a/b/g/n/ac, BT V4.2, GPS (Optional), NFC (Optional)
- GbE: RJ45 x 1
- USB 2.0: Micro-USB OTG x 1, Type A x 2, Pin Header x 1
- RS-232/422/485 x 1, RS-232 x 1
- 8-bit GPIO, I2C, mPCIe Slot x 1
- +12V DC Input
- OS Support: Android 9.0 / Debian
- Small Board Size: 100mm x 72mm (PICO-ITX)



Specifications

System	
Form Factor	Pico-ITX (100mm x 72mm)
CPU	Rockchip RK3288 ARM Cortex™-A17 Quad-core 1.6 GHz
GPU	Mali-T764
Graphics	Video Decode: MPEG-1, MPEG-2, MPEG-4, H.263, H.264, AVS, VC-1, VP8, MVC Video Encode: H.264 (BP@level4.0, MP@level4.0, HP@level4.0), MVC and VP8
Memory Capacity	Onboard DDR3L 2GB/4GB (Optional)
Storage/SSD	16GB eMMC and Micro-SD card
Operating System	Android 9.0 / Debian
Kernel	Kernal 4.4
Watchdog Timer	Integrated
Power Requirement	+12V DC input, Optional 7.4V battery
Power Consumption (Typical)	0.6A@12V, full load, Quad-core CPU
Dimension	3.94" x 2.84" (100mm x 72mm)
Gross Weight	0.44 lb (0.2 Kg)
Operating Temperature	32°F ~ 140°F (0°C ~ 60°C)
Storage Temperature	-40°F ~ 176°F (-40°C ~ 80°C)
Operating Humidity	0% ~ 90% relative humidity, non-condensing
MTBF (Hours)	80,000
Certification	CE/FCC
Display	
HDMI	HDMI (1.4) up to 4K x 2K @60Hz
eDP	Up to 2560 x 1440 @60Hz
LVDS	Support 18/24-bit up to 1920 x 1080 @60Hz
MIPI	Up to 2560 x 1440 @60Hz
RF Function	
WiFi	802.11 a/b/g/n/ac
BT	Bluetooth V4.2 + EDR
I/O	
Ethernet	GbE x 1
USB Port	Micro-USB OTG x 1 USB 2.0 Type A x 2 USB2.0 Pin header x 1 (Integrated)
Serial Port	RS-232/422/485 x 1 RS-232 Pin header x 1 Debug port pin header x 1
Audio	2.5W (by 4Ω) Speaker/ Microphone/ Earphone
GPIO	8-bit (4-in, 4-out)
Expansion Slot	Full-size mini-PCIe slot x 1 (For 3G/4G card)
SIM Slot	Nano-SIM
SD Socket	Support Micro-SD card
Camera	—

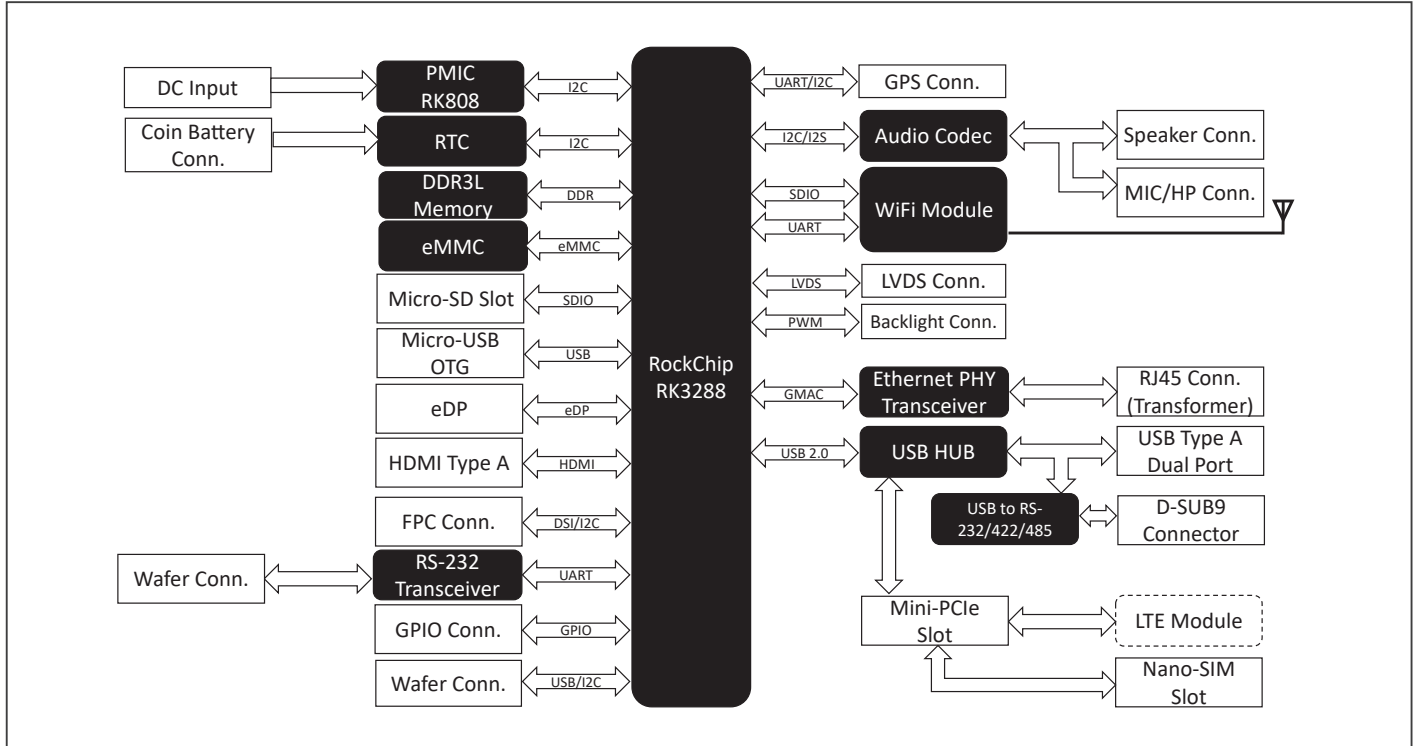
Packing List

- MB Power Cable
- RTC Battery
- RICO-3288

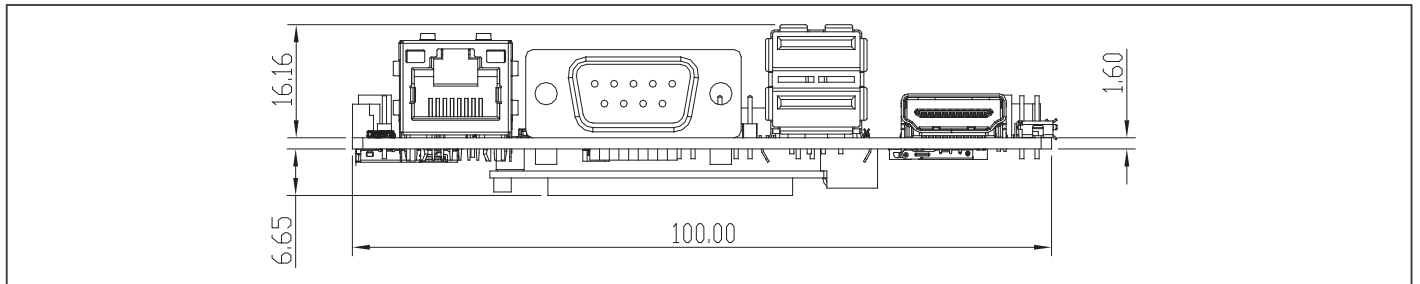
Optional Accessories

Part Number	Description	Qty.
1701090150	COM Cable, Length 15cm	1
125530060Y	12V/60W Power Adapter	1
9697T41704-S	NFC Board	1
9697T47700-D	GPS & Battery Charger Board	1

Block Diagram Unit: mm



Dimension Unit: mm



Ordering Information

Part Number	CPU	RAM	Storage	LAN	RS-232	USB	Display	WiFi & BT	3G/LTE Slot
RICO-3288-A11-0001	ARM Cortex-A17 1.6GHz	2GB DDR3L	16GB eMMC	GbE x 1	1 (RS-232) 1 (RS-232/422/485)	4	1 (HDMI) 1 (eDP) 1 (LVDS) 1 (MIPI)	802.11 a/b/g/n/ac BT 4.2 + EDR	1 (mPCle Slot)
RICO-3288-A11-0002 (MOQ: 50)	ARM Cortex-A17 1.6GHz	4GB DDR3L	16GB eMMC	GbE x 1	1 (RS-232) 1 (RS-232/422/485)	4	1 (HDMI) 1 (eDP) 1 (LVDS) 1 (MIPI)	802.11 a/b/g/n/ac BT 4.2 + EDR	1 (mPCle Slot)